

\*Image is for illustrative purposes only. Please refer to datasheet for detail.

- HVDC 100A at 1000VDC
- Max. switching current = 1000A
- Contacts sealed in inert gas
- Magnet arc blowout
- Auxiliary contact option
- Female M5 power terminals



## Contacts

Contact arrangement	SPST-NO-DM	
Contact material	T2+Ag	
Max. switching voltage	AC/DC	1000VDC
Rated load (resistive, $\cos \phi=1$ )	DC1	100A 1000VDC
Max. continuous thermal current	600s	180A
	30s	450A
Max switching current	1 time only	1000A 450VDC
Initial contact resistance	max.	30m $\Omega$ (at 1A)
Auxiliary contact when fitted	arrangement	SPST-NO (1 Form A)
	max. current	2A @ 30VDC / 3A @ 125VAC
	min. current	100mA @ 8VDC

## Coil

Nominal voltage (see page 2)	DC	12~48VDC
Rated power consumption	hold	5.5W @ 12VDC

## Insulation

Insulation resistance	initial	100M $\Omega$ (min.)
	life end	50M $\Omega$ (max.)
Dielectric strength	coil to contact	3500Vrms / 1mA / 1 min (at sea level)
	contact to contact	3500Vrms / 1mA / 1 min (at sea level)

## General Data

Operate time at 20°C	max.	25ms
Bounce time at 20°C	max.	7ms
Release time at 20°C	max.	12ms
Electrical life	Voltage and current dependent - see fig. 1	
Mechanical life	2 x 10 <sup>5</sup> (ON : OFF = 1s : 9s)	

## Environmental

Environmental Seal	IP67	
Ambient temperature	operating	-40 to +85°C
Relative humidity	5 to 95%RH	
Shock resistance	20G peak, 11ms 1/2 sine	
Vibration resistance	20G sine peak (80 to 2000Hz)	
Dimensions	L x W x H	40 x 53.86 (over flanges) x 59.07 (approx.)
Weight	approx.	190g $\pm$ 5g

## Ordering Code

D E V R 1 0 - 5 0 6 1 - S 8 - 1 0 1 2 - R 1 / 1

### Series

### Coil code:

See table 1

### Contact material

50: T2+Ag

### Contact arrangement

61: SPST-NO\*

71: SPST-NO\* + auxiliary

\* Polarised - see page 2

### Mounting & terminations

Bottom flange mounting base

S8: M5 Female power terminals

Coil & auxiliary contacts by flying leads

### Coil wire length

R: 14.96" (380mm)

T: 5.9" (150mm)

### Coil wire & auxiliary contact termination

1: None

2: Yazaki 7282-5558-10 Male, fitted to coil wires only.

3: Molex mini-fit female, fitted to coil wires only.

Other terminations to special order

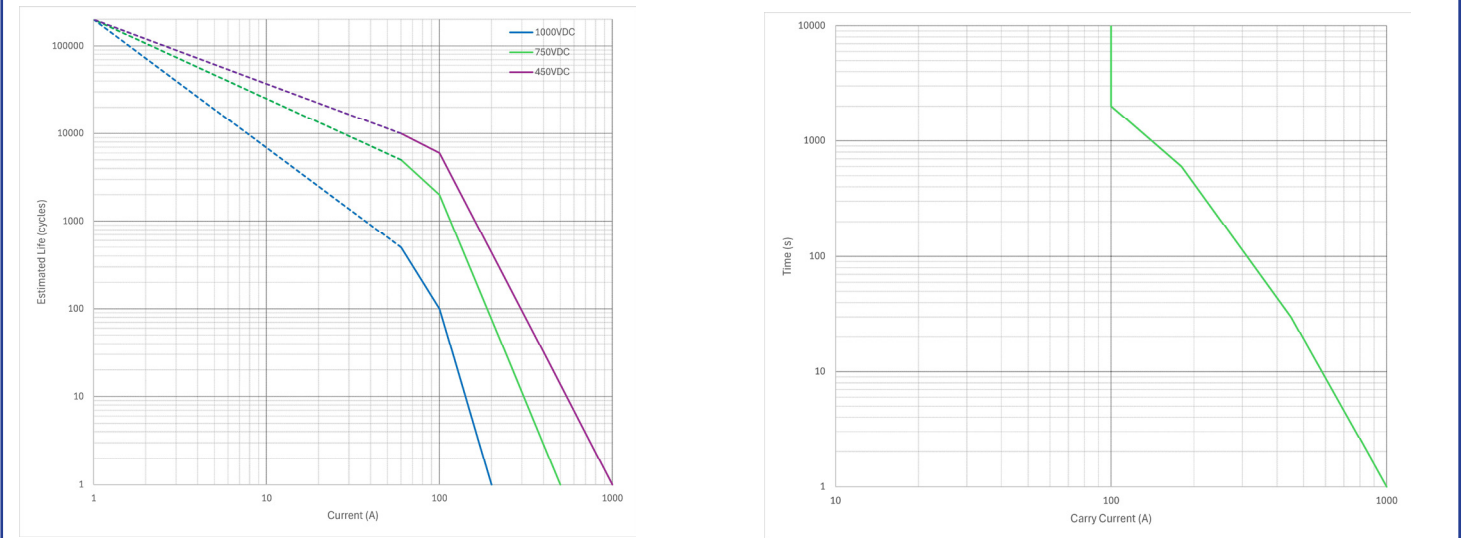
### Version

/1: Version 1

Coil Data							Table 1
Coil code	Nominal voltage (VDC)	Must operate voltage max. (VDC@ 23°C)	Max. allowable voltage (VDC)	Must release voltage min. (VDC)	Coil resistance $\Omega \pm 5\%$ (at 23°C)	Coil current (mA)	Coil power (W @ 23°C)
1012	12	9.0	13.2	1.2	26.0	461.5	5.54
1024	24	18.0	26.4	2.4	96.4	249.0	5.98
1048	48	36.0	52.8	4.8	392.0	122.5	5.88

### Electrical Performance

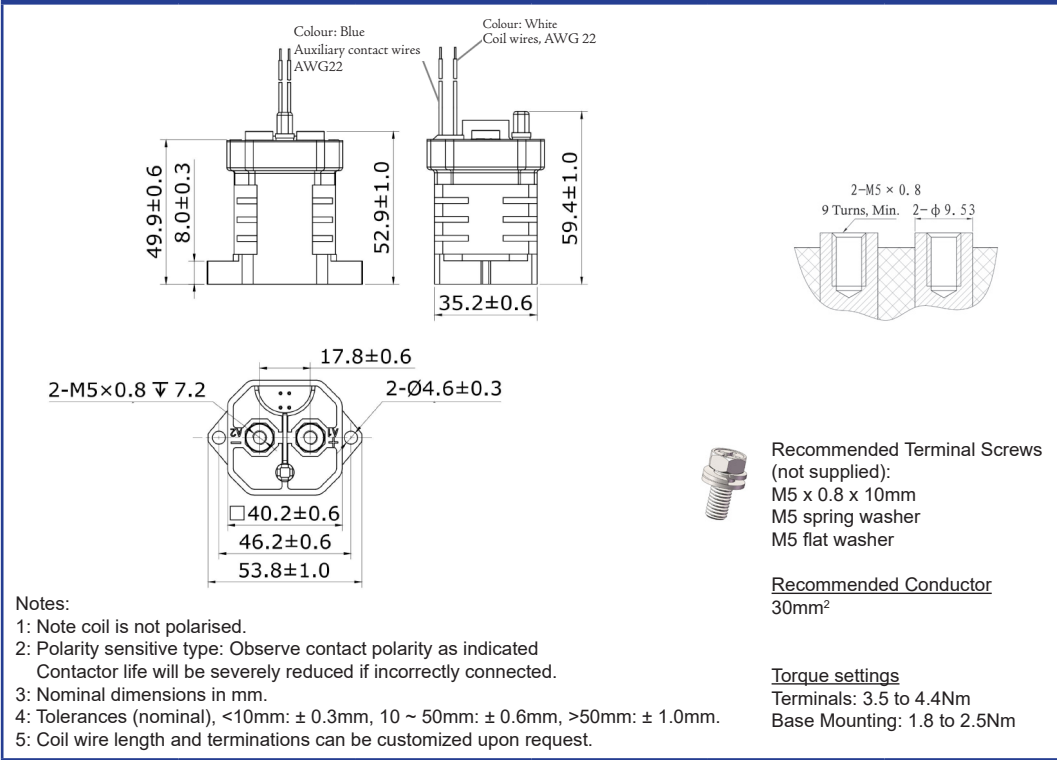
Fig. 1



1. Estimates are based on test and extrapolated data. The user is advised to confirm performance in their application.
2. Recommended conductor size and terminal rise maximum in accordance with ISO (EN) 60947.1 70°C
3. Estimated electrical life is based on make and break current.
4. All data is based on resistive loads.

### Dimensions (mm)

Fig. 2



### Circuit Diagram

Fig. 3

